

NORTH WATER CANOE SPRAY DECK ORDER FORM

You are about to order a custom made Spraydeck that will be one of the most important pieces of gear you will use with your canoe. With a little care it will serve you for a lifetime of adventure and exploration.

North Water Spraydecks have been used world wide for just about every major canoe expedition over the last fifteen years. We are known to go out of our way to make sure your Spraydeck fits not only your boat but your specific needs. If you are planning a 1000 mile trip across the artic or a weekend getaway, you have our commitment that your deck will serve you anywhere your sense of adventure takes you.

The following form will provide us with the information we need to build your Spraydeck quickly and accurately. After completing this form in its **entirety**, please review the information for accuracy; you can then fax it to 604-264-0821 or email it to northwater@northwater.com.

If you have any questions or need help completing this form, call us at 604-264-0827 or email us.

For more information visit our website at www.northwater.com. There you can view photos, accessories, installation instructions and download additional forms.

CONTACT INFORMATION

Please print clearly.

Dealer Name:	Contact name:
Phone:	Fax:
Email:	Shipping address:
City:	Province/State:
Country:	Postal/Zip Code:
Customer Name:	Phone Home:
Phone Work:	Fax:
Email:	Shipping address:
City:	Province/State:
Country:	Postal/Zip Code:

DESCRIPTION OF CANOE

Measurements taken by:

Name:	Phone Home:	
Phone Work:	Email:	
Best time to call:	Date:	
Manufacture of Canoe:	Hull Material (check appropriate box)	
Model:	ABS (Royalex)	
Length of Canoe:	Fiberglass	
Solo or Tandem:	Kevlar	
Style of Seats:	Rotomolded (polyethylene)	
Gunwale Material (check appropriate box)	Aluminum	
Wood	Wood (skin on frame)	
Plastic	Wood (solid)	
Aluminium	Twin Tex	
Vinyl	Hypalon	
Other	Other	

FEATURES AND OPTIONS

Standard Features:

- Tandem Spraydeck: 2 Cockpits, 1 Cargo Hatch, 1 Paddle Pocket.
- Solo Spraydeck: 1 Cockpit, 1 Cargo Hatch, 1 Paddle Pocket.

Deck comes standard with NW Loop and Lash attachment system and complete Installation Kit.

CHOOSE YOUR SPRAYDECK (check appropriate box)

Tandem One Piece	40SP-01	
Tandem Two Piece	40SP-01a	
Tandem Three Piece	40SP-01b	
Solo One Piece	40SP-02	
Solo Two Piece	40SP-02a	
Solo Three Piece	40SP-02b	

Colors available (circle one): Red, Blue, Green, and Burgundy.

ADDITIONAL OPTIONS (check appropriate box or specify quantity)

Portage Cargo Hatch	40SP-13	
Additional Paddle Pocket	40SP-06	
Waterproof Map Case Includes Anchor Points (10" x 14 ½")	40SP-07	
Map Case Anchor Points Only (included with Map Case)	40SP-11	
Deck Top Anchoring Strip 2" x 15" Daisy Chain (specify location on diagram 3)	40SP-15	
Additional Cargo Hatch (specify location on diagram 3)	40SP-05	
Additional Cockpit (specify location on diagram 3)	40SP-04	
Light Weight Fabric 420 High Tenacity Pack Cloth (Red or Black only)	40SP-01p	
Reversible Bow Cockpit (paddling solo in tandem boat from bow seat)*	40SP-24	
Cockpit Cover Zippered (specify cockpit on diagram 3)	40SP-14	
Shoulder Strap (each)	40SP-16	
Webbing and Ladder-lock Spraydeck Attachment System	40SP-21	
Extra Vinyl Loop Patch (each)	40SP-08	
Custom Features Billed at Shop Rate	40SP-22	

CARGO ANCHORING SYSTEMS

Cargo Tie Down 2" D-Rings	40CO-25b	
Cargo Tie Down 1" D-Rings	40CO-25a	
Cargo anchoring Strips 26" (set of 2)	40CO-75f	
Cargo anchoring Strips 13" (set of 2)	40CO-20c	

* On diagram 3 please provide us with the location and orientation of options like Paddle Pockets, Map Case and Deck Top Anchoring Strips for both tandem and solo paddling positions. Please indicate above if you require a Cockpit Cover for the bow seat cockpit when paddling solo.

TAKING MEASUREMENTS

In order to ensure the fit of your deck **this form must be completed in its entirety.**

We recommend that you work with two tape measures. Take the first tape measure and lay it down the centre line of your boat, start at the bow and finish at the stern. Allow the tape measure to lie along the centre line following the profile of your canoe. Do not pull the tape tight as this will not give an accurate measurement. Use sticky tape to secure ends of tape to bow and stern caps. This will allow you to take all the length measurements. Now use your second tape measure to take width measurements every two feet along the length of canoe.

When measuring dimensions please:

Take all measurements in inches only, round to nearest ¼ inch.

Take all length measurements from front tip of bow to center of thwart(s) and back of seat(s).

Take all width measurements from outside of gunwale to outside of gunwale.

Important Note: Canoes with adjustable seats, **ONE** position must be chosen.

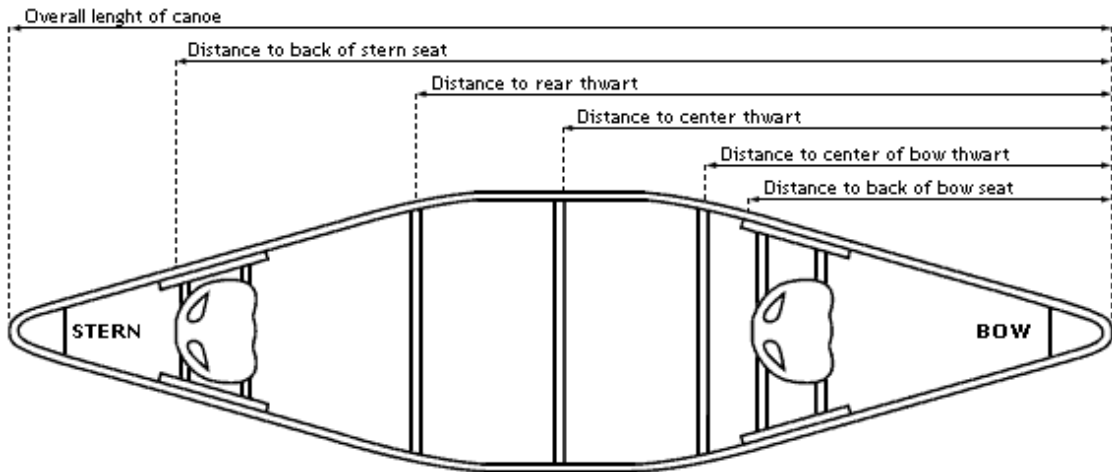
TANDEM CANOE

Measure in inches		Measure in inches	
1 - Distance to back of bow seat:		Width of Canoe at that point:	
2 - Distance to centre of bow thwart:		Width of Canoe at that point:	
3 - Distance to centre of centre thwart:		Width of Canoe at that point:	
4 - Distance to centre of rear thwart:		Width of Canoe at that point:	
5 - Distance to back of stern seat:		Width of Canoe at that point:	
6 - Overall length of canoe:			

SOLO CANOE

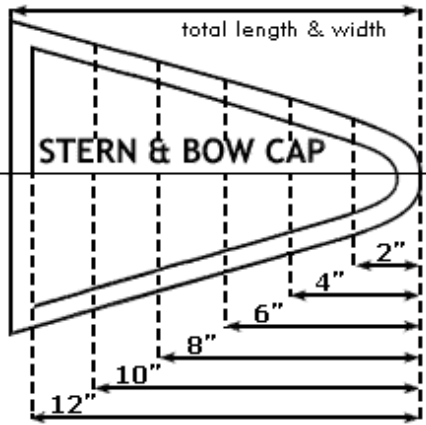
Distance to centre of bow thwart:		Width of Canoe at that point:	
Distance to centre of centre thwart:		Width of Canoe at that point:	
Distance to back of seat:		Width of Canoe at that point:	
Distance to centre of rear thwart:		Width of Canoe at that point:	
Overall length of canoe:			

Diagram 1



Foot	Width	Foot	Width	Foot	Width	Foot	Width
2		8		14		20	
4		10		16		22	
6		12		18		24	

Diagram 2



Width of End Cap every 2 inches from End

Inch	Width	Inch	Width
2		8	
4		10	
6		12	

Total Length:

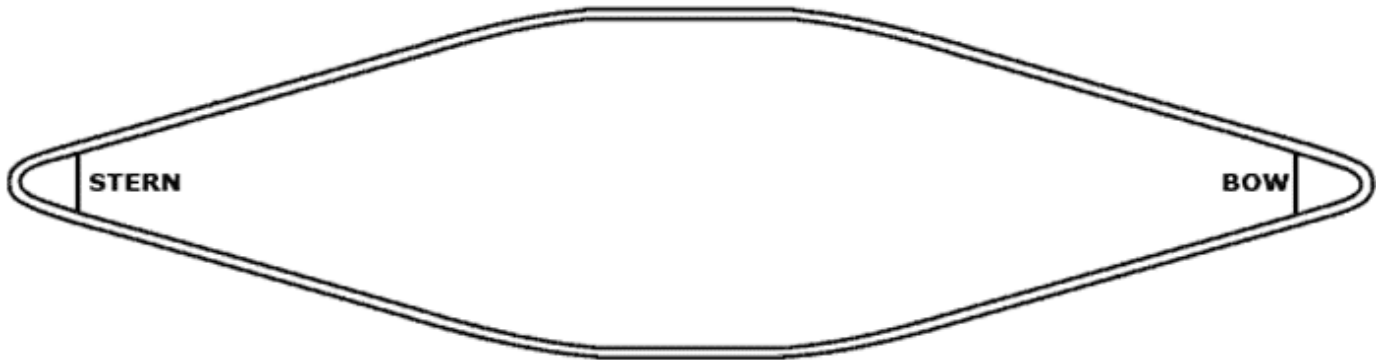
Does your canoe have built-in flotation tanks? (Specify location on diagram 3).

Length of Spare Paddle:

Additional Information

Use the diagram below to indicate the location of accessories you would like included on your Spray deck. Keep in mind that not all accessories you choose may fit on your Spray Skirt, this will vary depending on the size of your canoe and type of accessories you choose. We will contact you to work out the details if space becomes a factor.

Diagram 3



PLEASE CHOOSE A COLOUR			
Colour picked (please check)	Red	Blue	Green

IMPORTANT NOTE: Please review this form and the information you have provided, make certain it is filled out in its entirety. Information that is not provided may result in delays and additional costs.

Fax or email this form.

NORTH WATER PADDLE SPORTS EQUIPMENT

#110-2331 Alberta Street, Vancouver, BC - V5Y 4A7 - Canada

Phone: 604-264-0820 **Fax:** 604-264-0821 **Email:** northwater@northwater.com **Website:** www.northwater.com